

Extensive know how and market experience enables us to design and manufacture reliable heating solutions based on our Platform and tailored to completely meet individual heat requirements and customer unique specifications. At Zoppas Industries we work in complete synergy with our customers, providing project management planning, design approval and final product certification.

Our highly experienced global design teams together with continuous research and development, ensures complex and location specific demands are understood and met. At Zoppas Industries we constantly strive to ensure new and innovative design concepts are at the forefront of heat application requirements within the industry.

Description

Extended Design Life
Proven Reliability
Reduced Life Cycle Cost
Decades of expertise in the field

Technical Specifications

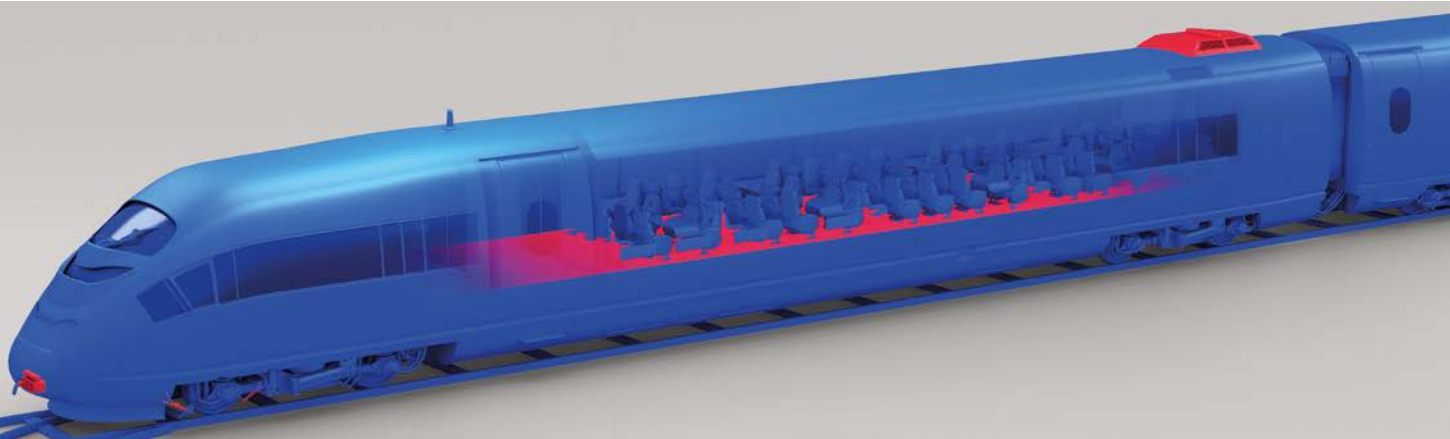
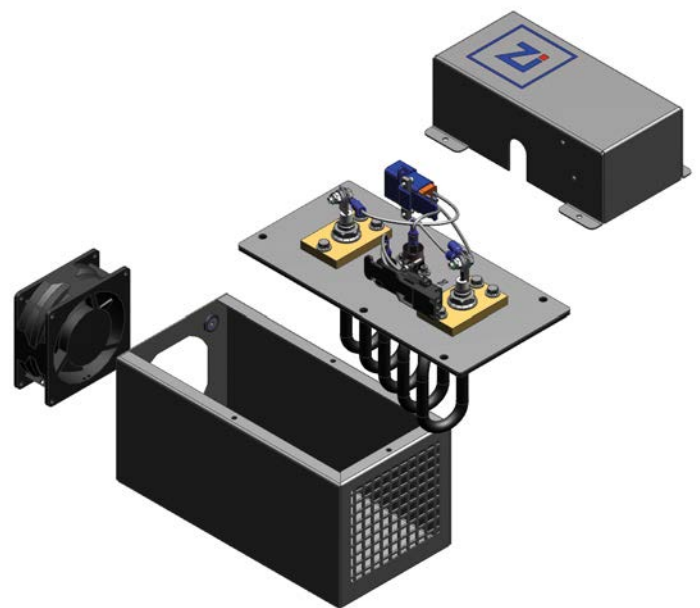
Power: 500-1500 W
Voltage: 230/400 Vac
Low Weight: < 3,5 Kg
Single or double insulation

Optional

Thermal regulation equipment
Protective cover
Low noise level fan assistance

Certifications

EN 45545-2
EN 61373
ISO 9001:2015



Extensive know how and market experience enables us to design and manufacture reliable heating solutions based on our Platform and tailored to completely meet individual heat requirements and customer unique specifications. At Zoppas Industries we work in complete synergy with our customers, providing project management planning, design approval and final product certification.

Our highly experienced global design teams together with continuous research and development, ensures complex and location specific demands are understood and met. At Zoppas Industries we constantly strive to ensure new and innovative design concepts are at the forefront of heat application requirements within the industry.

Description

- Extended Design Life
- Proven Reliability
- Reduced Life Cycle Cost
- Decades of expertise in the field

Technical Specifications

- Power: 3-20 kW
- Voltage: 230/400 Vac
- Low Weight: typically 3- 18 Kg
- Single or double insulation
- Stainless steel frame

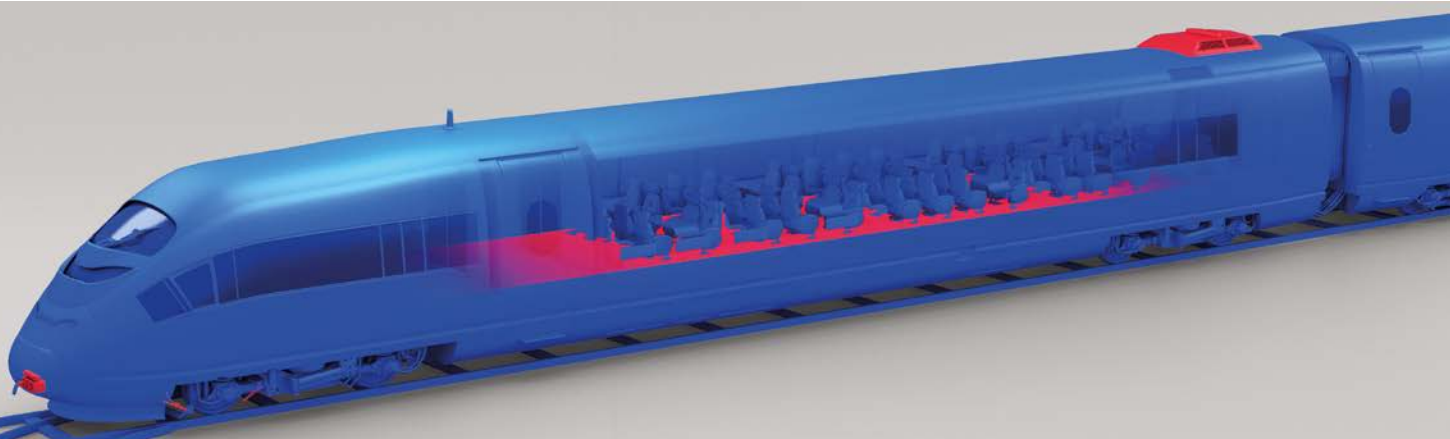
Optional

- Thermal regulation equipment
- Wiring box protection
- Customer specific frame dimensions and profile can be accommodated



Certifications

- EN 45545-2
- EN 61373
- ISO 9001:2015



Extensive know how and market experience enables us to design and manufacture reliable heating solutions based on our Platform and tailored to completely meet individual heat requirements and customer unique specifications. At Zoppas Industries we work in complete synergy with our customers, providing project management planning, design approval and final product certification.

Our highly experienced global design teams together with continuous research and development, ensures complex and location specific demands are understood and met. At Zoppas Industries we constantly strive to ensure new and innovative design concepts are at the forefront of heat application requirements within the industry.

Description

Extended Design Life
Proven Reliability
Reduced Life Cycle Cost
Decades of expertise in the field

Technical Specifications

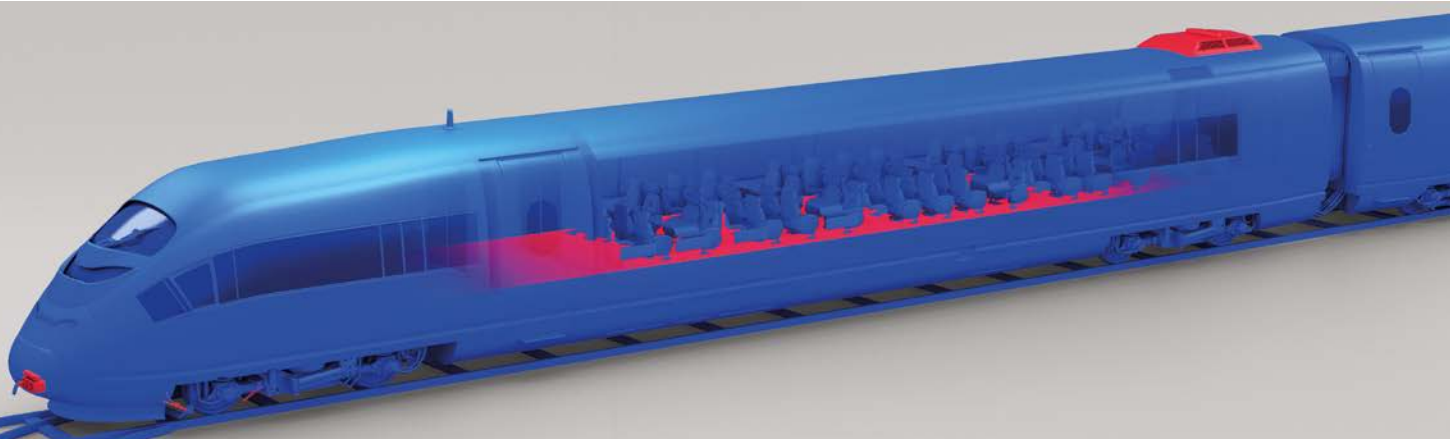
Power: 1500-3000 W
Voltage: 230/400 Vac
Low Weight: < 6 Kg
Single or double insulation
Low noise level fan assistance

Optional

Thermal regulation equipment
Post-ventilation
Customizable fixing
Frame anodization-coatings
Customer specific connections can be specified

Certifications

EN 45545-2
EN 61373
ISO 9001:2015

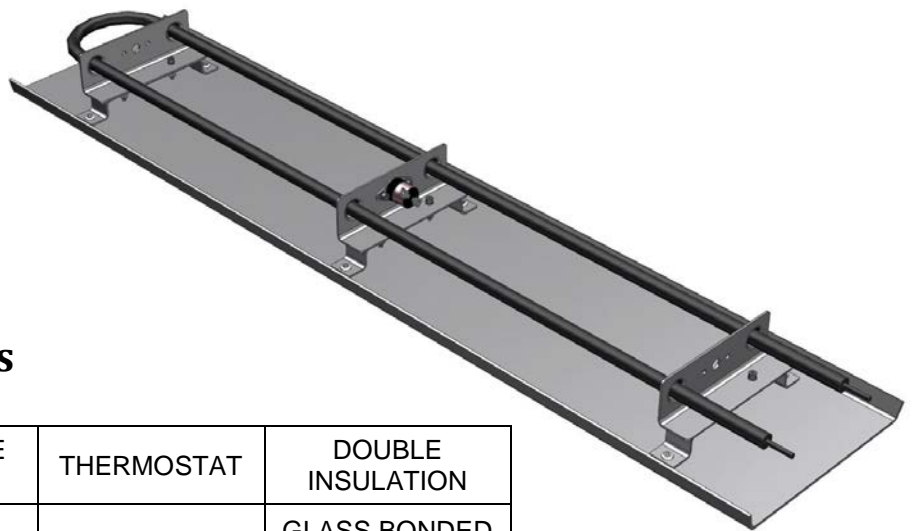


Extensive know how and market experience enables us to design and manufacture reliable heating solutions based on our Platform and tailored to completely meet individual heat requirements and customer unique specifications. At Zoppas Industries we work in complete synergy with our customers, providing project management planning, design approval and final product certification.

Our highly experienced global design teams together with continuous research and development, ensures complex and location specific demands are understood and met. At Zoppas Industries we constantly strive to ensure new and innovative design concepts are at the forefront of heat application requirements within the industry

Description

- Extended Design Life
- Proven Reliability
- Reduced Life Cycle Cost
- Decades of expertise in the field



Technical Specifications

L [mm]	POWER [W]	VOLTAGE [V]	THERMOSTAT	DOUBLE INSULATION
300	200÷300	230/400	AVAILABLE ON REQUEST	GLASS BONDED MICA INSULATORS AVAILABLE
500	300÷500			
1500	500÷1400			

Optional

- Thermal regulation equipment
- Optimal power to length ratio
- Customizable fixing
- Frame anodization-coatings
- Customer specific connections can be specified

Certifications

- EN 45545-2
- EN 61373
- ISO 9001:2015

